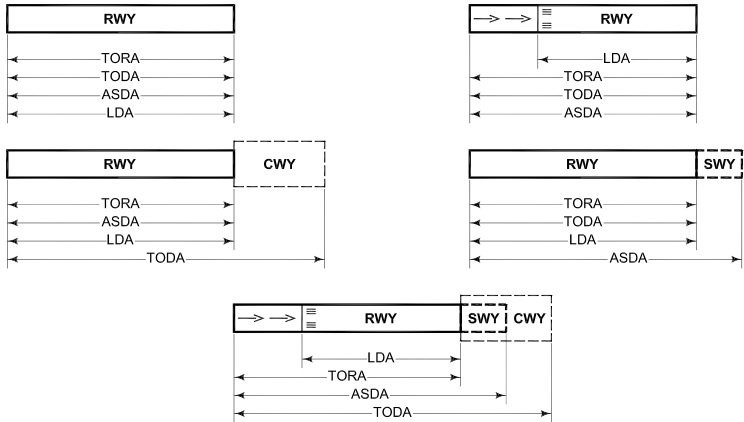


DETERMINATION OF DECLARED DISTANCES FOR RUNWAYS



SWY

Stopway

A defined rectangular area on the ground at the end of takeoff run available prepared as a suitable area in which an aircraft can be stopped in case of an aborted takeoff.

CWY

Clearway

A defined rectangular area on the ground or water at the end of a runway in the direction of takeoff and under control of an appropriate authority, selected or prepared as a suitable area over which an aircraft may make a portion of its initial climb to a specified height, (extension laterally to a distance of at least 75 m either side of extended runway centerline and not longer than half length of runway).

TORA

Takeoff Run Available

The length of runway declared available and suitable for the ground run of an aircraft taking off.

TODA

Takeoff Distance Available

The length of the takeoff run available plus the length of the clearway, if provided.

ASDA

Accelerate Stop Distance available

The length of the takeoff run available plus the length of the stopway, if provided.

LDA

Landing Distance Available

The length of runway which is declared available and suitable for the ground run of an aircraft landing. The LDA commences at the threshold/displaced threshold.